

PRODUCT INFORMATION PACKET

Model No: 5KH37PN37X

Catalog No: H278

1/12 HP Single Phase HVAC/R Motor, 1 phase, 900 RPM, 115 V, 56CZ Frame, ODP
HVAC/R Single Phase Motors



Regal and Marathon are trademarks of Regal Beloit Corporation or one of its affiliated companies.
©2020 Regal Beloit Corporation, All Rights Reserved. MC017097E

REGAL



Nameplate Specifications

Output HP	0.08 Hp	Output KW	0.06 kW
Frequency	60 Hz	Voltage	115 V
Current	3.2 A	Speed	850 rpm
Service Factor	1.4	Phase	1
Efficiency	40 %	Power Factor	0
Duty	Continuous	Insulation Class	B
KVA Code	V	Frame	56CZ
Enclosure	Drip Proof	Thermal Protection	AUTO
Ambient Temperature	40 °C	Drive End Bearing Size	6203
Opp Drive End Bearing Size	6203	UL	Recognized
CSA	Yes	CE	N

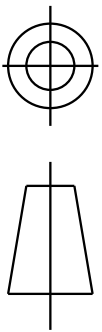
Technical Specifications

Electrical Type	Split Phase	Starting Method	SM
Poles	8	Rotation	Counterclockwise/Clockwise
Mounting	Round	Motor Orientation	ANY
Drive End Bearing	BALL	Opp Drive End Bearing	Ball
Frame Material	Rolled Steel	Overall Length	11.08 in
Frame Length	6.62 in	Shaft Diameter	0.630 in
Shaft Extension	2.25 in	Thru-bolts Extension	0 in
Outline Drawing	52A102411P5	Connection Drawing	52A105379AA

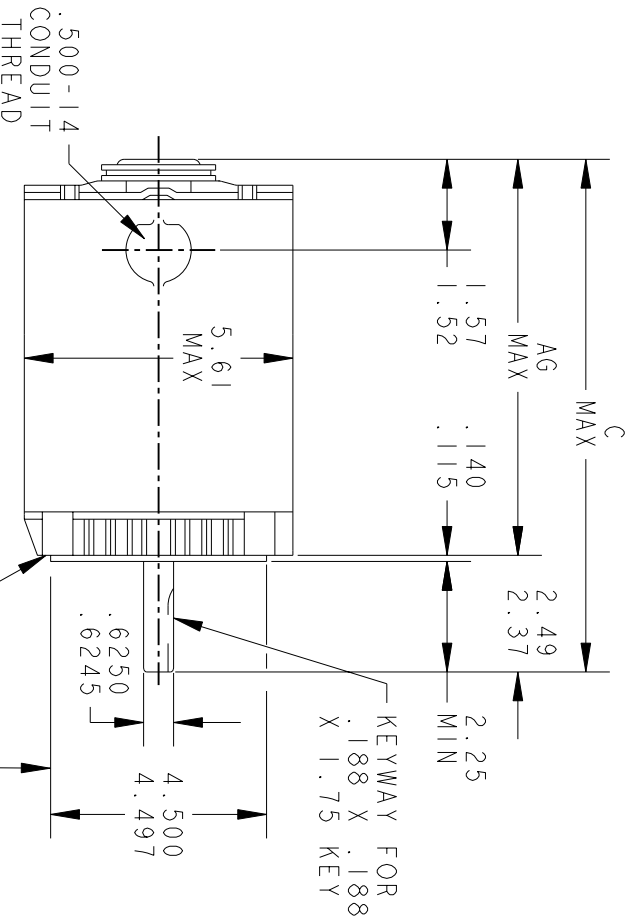
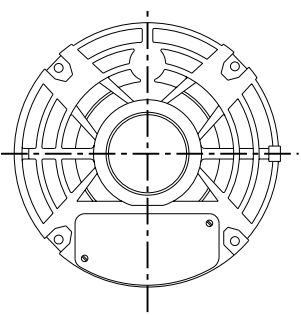
This is an uncontrolled document once printed or downloaded and is subject to change without notice. Date Created:03/11/2020

This document is the property of REGAL-BELOIT CORPORATION ("BGC") including its subsidiaries and divisions and contains proprietary information of BGC. This document is loaned on the express condition that neither the recipient nor any other person shall be permitted to disclose or disseminate the information contained herein without the express written consent of BGC. This document shall be returned to BGC upon its request. This document may be subject to certain restrictions under U.S. export control laws and regulations.

THIRD ANGLE PROJECTION



VIEW FACING
LEAD END



FACE RUNOUT (WITH INDICATOR MOUNTED STATIONARY, RELATIVE TO SHAFT) MUST NOT EXCEED .010 TIR

ECCENTRICITY OF THIS SURFACE (WITH INDICATOR MOUNTED STATIONARY RELATIVE TO SHAFT) MUST NOT EXCEED .010 TIR

.375-16 UNC-2B (4 HOLES)
.82 MIN. FULL THD. THESE HOLES FIT A GAGE HAVING A RABBET 4.5005 DIA. AND 4 PINS .2917 DIA. LOCATED ON THE BASIC HOLE POSITIONS.

5	KH	37	56CZ	11.08	8.61
4	KH	36	56CZ	10.68	8.21
3	KH	35	56CZ	10.25	7.78
2	KH	33	56CZ	9.87	7.40
1	KH	32	56CZ	9.62	7.15

PT	TYPE	GE SIZE	NEMA FR	C	AG	SHELL REF
----	------	---------	---------	---	----	-----------

FOR ADDITIONAL INFO REFER TO:

SIGNATURES	DATE
------------	------

APPLIED PRACTICES	MODEL	DETAIL	BCC	09/02/17
-------------------	-------	--------	-----	----------



TOLERANCE ON:	CHECKED	DATE
---------------	---------	------

TITLE
REGAL-BELOIT CORPORATION

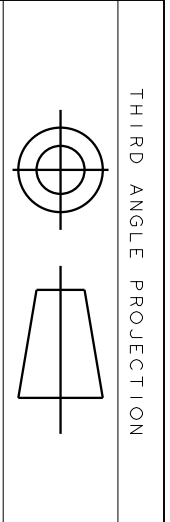
1 PL DECIMALS ± 0.1	ENGRG	QUALITY
2 PL DECIMALS ± 0.02	MFG	ISSUED
3 PL DECIMALS ± 0.005	ANGLES ± 1.0	MDP
FRACTIONS ±	FINISH	9/9/96

FORM "N" MOTOR-DRIP PROOF R2 END MOUNTED
-SLEEVE & BALL BEARING. FME SKH32DNIII

MATERIAL	SOLID MODEL: 52A102411
----------	------------------------

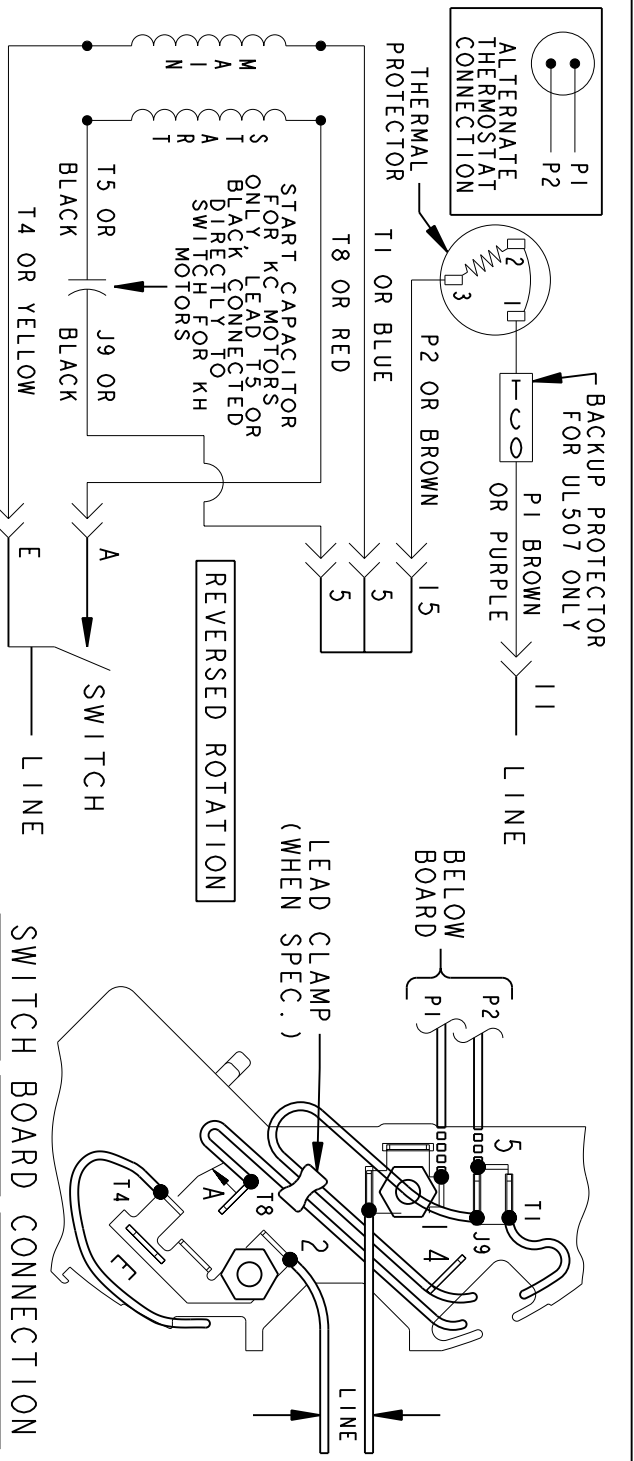
SCALE: 1.000	REF. No.:	SHEET 1 of 1
--------------	-----------	--------------

52A102411 6



REV.	DESCRIPTION	DATE	APPROVED
6	UPDATED FORMAT	12/01/05	MAM

EITHER ROTATION-SINGLE VOLTAGE-TYPE KC OR KH-WITH THERMAL PROTECTOR



NOTE #1 - TO REVERSE ROTATION INTERCHANGE RED (T8) AND BLACK (J9-KC OR T5-KH) LEADS.
 NOTE #2 - WHEN MORE THAN ONE CAPACITOR IS USED CONNECT IN PARALLEL.

SWITCH (C) - 115D958AB REF. DIAG. - 121A851 CONN. LABEL - 52X332048

SIGNATURES	DATE
MODEL M.D.PAPE	06/29/87
DETAIL	
CHECKED	
ENGRG	
MFG	
QUALITY	
ISSUED	M.D.P. 03/08/00
SOLID MODEL: 52A105379AA	

REGAL-BELOIT CORPORATION

REGAL-BELOIT

CONNECTION DIAGRAM

FMF - 30 FR SWITCH REDESIGN

SCALE: 1.000 REF. No.:

SIZE DRAWING A

52A105379AA

REV 6